

## 100W Switching Power Supply for 2Wire Video Intercom

Switching, regulated power supply. Powerful and advance design for maximum safety and protection against overload and shorts. Could be mounted on the wall with a 35mm standard DIN rail or in a metal Enclosure.

**SKU: EVB2WPS524**

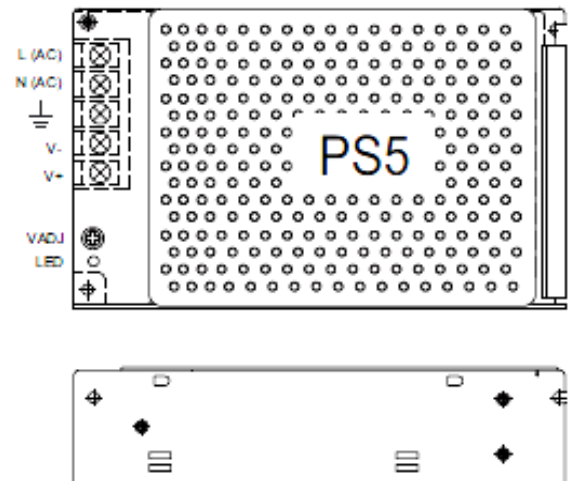
### Features and Specifications

- Input: 100-240V 50/60HZ
- Output: 24VDC/4.5A Output
- Input Voltage: 100~120VAC(2.5A), 200~240VAC(1.5A) (switchable)
- Input Frequency: 50~60 Hz
- Rated Output Voltage: 24Vdc
- Rated Output Current: 4.5A
- Working Temperature: -200C~+600C
- Dimension: 159(H)×97(W)×37(D)mm



### Terminal Designations

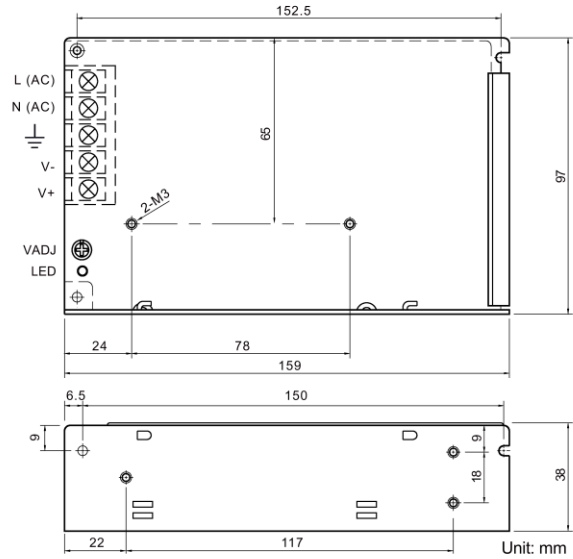
- L(AC): LINE AC input.
- N(AC): Neutral AC input.
- Chassis Ground
- V- : DC power output.(21.5~26.5 adjustable)
- V+ : DC power output.(21.5~26.5 adjustable)
- VADJ: Output voltage adjustment
- GREEN LED: Working state indicator



Specifications are subject to change without notice. Entry Vision is not responsible for any typographical errors.

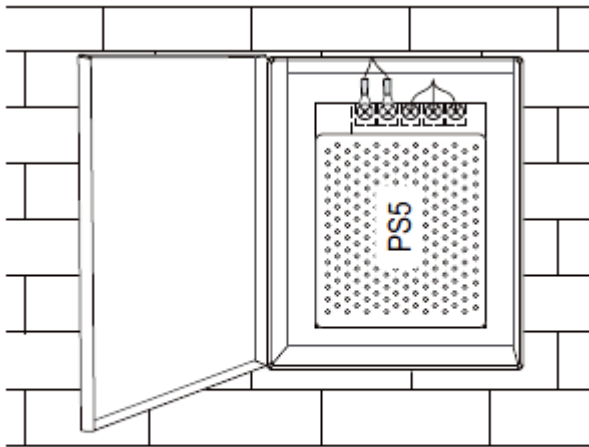
## Dimensions

- Dimensions shown are in mm. Divide by 25.4 to convert to inches

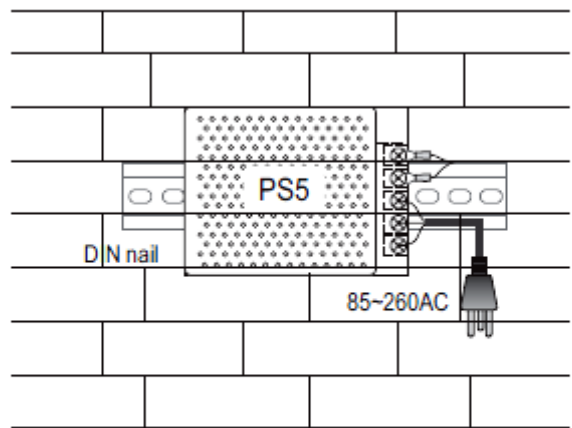


## Mounting Methods

- 2 methods of mounting: 35mm DIN rail or Enclosure Mounting



Enclosure Mounting



DIN Rail Mounting

Specifications are subject to change without notice. Entry Vision is not responsible for any typographical errors.