

## 4 inch Color TFT LCD monitor

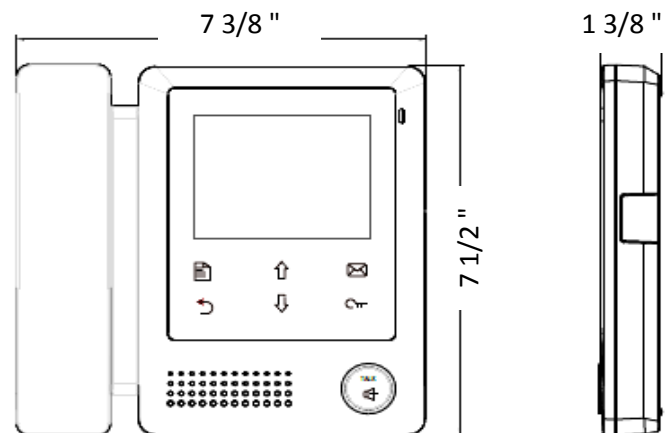
### SKU: EV2WM24W

This LCD monitor uses thin-film transistor (TFT) technology to deliver a high-resolution picture that helps ensure clear identification that enhances security. The monitor utilizes 2 wire, non-polarized wiring.

Here are the additional features of the EV2WM25 color monitor.

### Features and Specifications

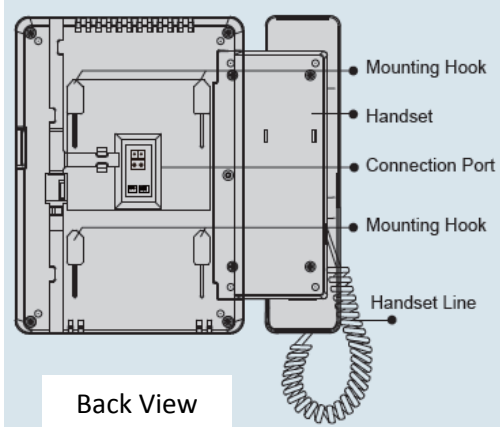
- Compact design is unobtrusive and attractive
- 2 Wire technology, Non-Polarized main bus
- 320x240 high-resolution image
- Hands-free communication or with handset for privacy
- Choice of which intercom to call in expanded systems
- Manually select the outdoor camera you want to view in expanded systems
- Optional staircase light control capability
- Compatible with all our 2 wire model indoor and door bell video phones
- Multiple ring-tone choices
- Power Supply : DC 24V (supplied by EV2WPS424 or EV2WPS52424V)
- Power Consumption: Standby 30mA; Working status 178mA
- Display Device: 4" Digital TFT screen with 4:3 aspect ratio
- Dimensions: 7 3/8(H)×7 1/2 (W)× 1 3/8 (D) inch
- White color



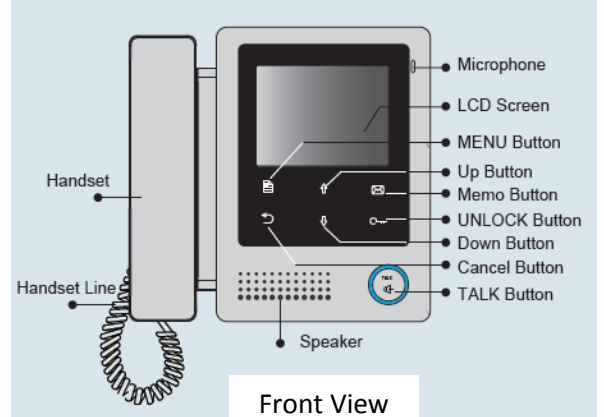
### Included with the Monitor

- Mounting bracket
- Installation accessories
- Installation and operating manual

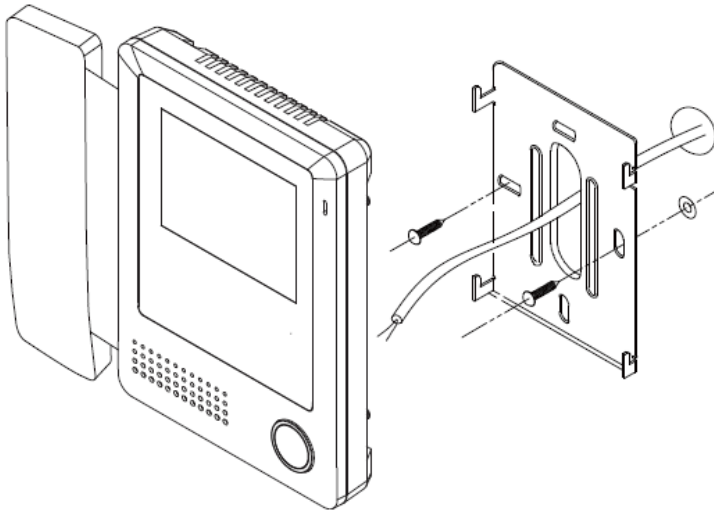
Specifications are subject to change without notice. Entry Vision is not responsible for any typographical errors.



Back View



Front View



Wall Mounting



Desk Top accessory  
(optional)

Specifications are subject to change without notice. Entry Vision is not responsible for any typographical errors.