

4 Wire Video Intercom VEGA Outdoor Stations

SKU Numbers: See Table 1

VEGA utilizes a modular approach of Outdoor Stations. It uses 4 wire Core Bus for Full Duplex (2 way) communication of Video, Audio and Signaling. This series flexibility provides a wide array of customized solutions from Single Family homes up to 7 unit apartments. Featuring Video, Audio, Remote unlocking, Keypads, RFID Readers and a variety of combination of these features.

- Genuine Night Vision with the CCD color camera with LED
- 700 TVL Video Cameras
- Hands-free communication using the audio intercom
- Modular approach with functions such as 1-7 Call Buttons, Keypads, RFID Readers, individually and combinations of functions. (See Table 1 and Images in figure 1 at the bottom of this data sheet)
- RFID reader Module with capacity for 1,010 cards for tenants and other authorized personnel. 2 Relays to control electric lock and other systems requiring authorized activation.
- Access Control Keypad Module with capacity for 1,010 cards for tenants and other authorized personnel. 2 Relays to control electric lock and other systems requiring authorized activation.
- Backlit name plate (s)
- Flush-mount
- Surface mount is optional when the weather-protection frame is selected
- IP55 protection against debris and moisture
- DC 12V - supplied via main 4 Core Bus and external power supply for RFID Reader and Keypad Modules
- Lock Power Supply External - UP to 30VDC 1A
- Power Consumption - Depends on module combination and content
- NO, COM dry contact: Max. 48V
- Flush Mount Dimensions (See Figure 2):
 - 1 Module Adapter - H- 4 3/8 X W - 3 3/8 X D - 2 3/8 Inch
 - 2 Module Adapter - H - 7 5/8 X W - 3 3/8 X D - 2 3/8 Inch
 - 3 Module Adapter - H - 11 X W - 3 3/8 X D - 2 3/8 Inch
- Surface Mount Dimensions: (See Figure 2)
 - 1 Module Adapter - H- 4 5/8 X W - 4 1/2 X D - 3 1/8 Inch
 - 2 Module Adapter - H - 8 X W - 3 3/8 X D - 2 3/8 Inch
 - 3 Module Adapter - H - 11 3/8 X W - 3 3/8 X D - 2 3/8 Inch



Table 1 - VEGA - 4 WIRE Outdoor Station Combinations

(See Combination images Figure 1 Next page)

Images Number	SKU	Module 1	Module 2	Module 3	Features
1	EV4WDP11	1 Call Button with Camera			1 family unit - Video & Voice
2	EV4WDP 214	1 Call Button with Camera	Keypad		1 family unit - Video & Voice & Access Control Keypad
3	EV4WDP 215	1 Call Button with Camera	RFID Reader		1 family unit - Video & Voice & Access Control RFID
4	EV4WDP3145	1 call Button with Camera	RFID Reader	Keypad	1 family unit - Video & Voice with Access Control 1010 codes 1010 RFID Cards or KEYFOBS
5	EV4WDP213	Camera	3 Call button		3 family unit - Video & Voice
6	EV4WDP3034	Camera	3 Call button	Keypad	3 family units - Video & Voice with Access Control Keypad
7	EV4WDP3035	Camera	3 Call button	RFID Reader	3 family units Video & Voice with Access Control RFID
8	EV4WDP 213	1 Call Button with Camera	3 Call Button		4 family units- Video & Voice
9	EV4WDP3134	1 call Button with Camera	3 Call Button	Keypad	4 family units - Video & Voice Access Control Keypad
10	EV4WDP3135	1 call Button with Camera	3 Call Button	RFID Reader	4 family unit - Video & Voice with Access Control RFID
11	EV4WDP245	Keypad	RFID Reader		Access Control - 1010 Keypad codes & 1010 RFID Cards or KEYFOBS
12	EV4WKP14	Keypad			Access Control - 1010 keypad codes
13	EV4WKP15	RFID Reader			Access Control - 1010 RFID Cards or KEYFOBS
14	EV4WDP3033	Camera	3 Call button	3 Call button	6 family unit - Video & Voice
15	EV4WDP3133	1 Call Button with Camera	3 Call button	3 Call button	7 family unit - Video & Voice

Combination Images (See Table 1)

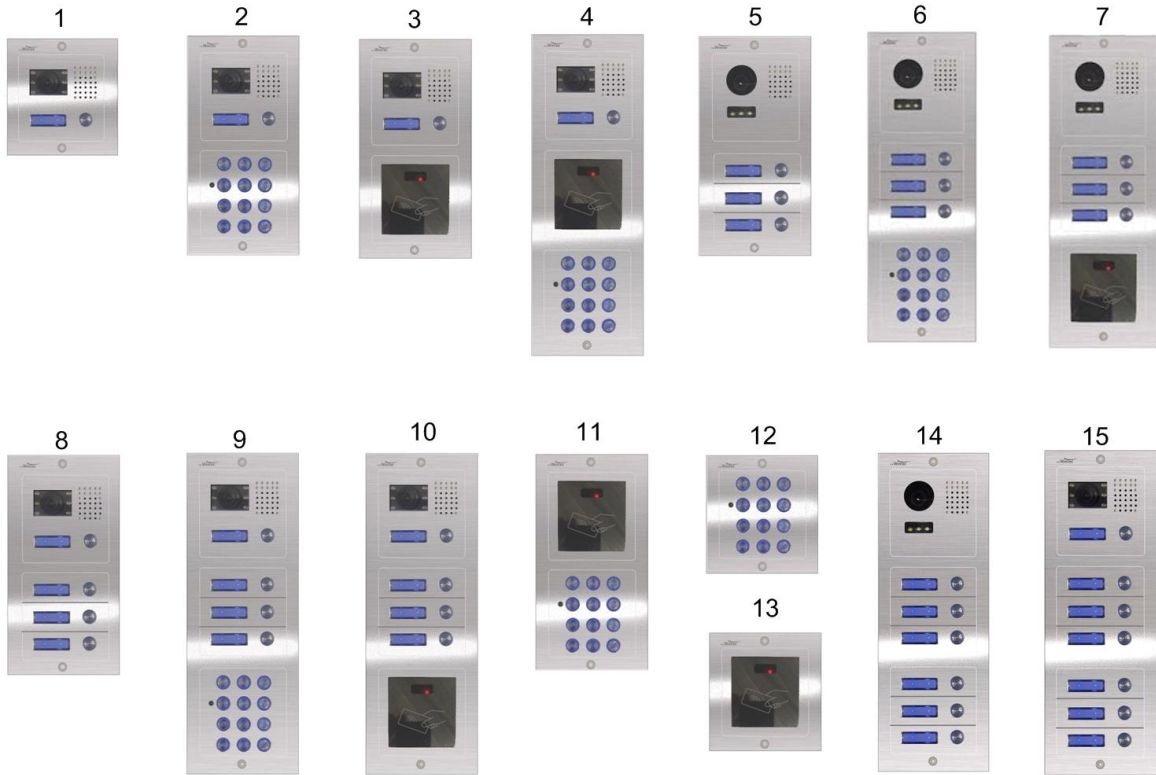


Figure 1 - Modular Combinations

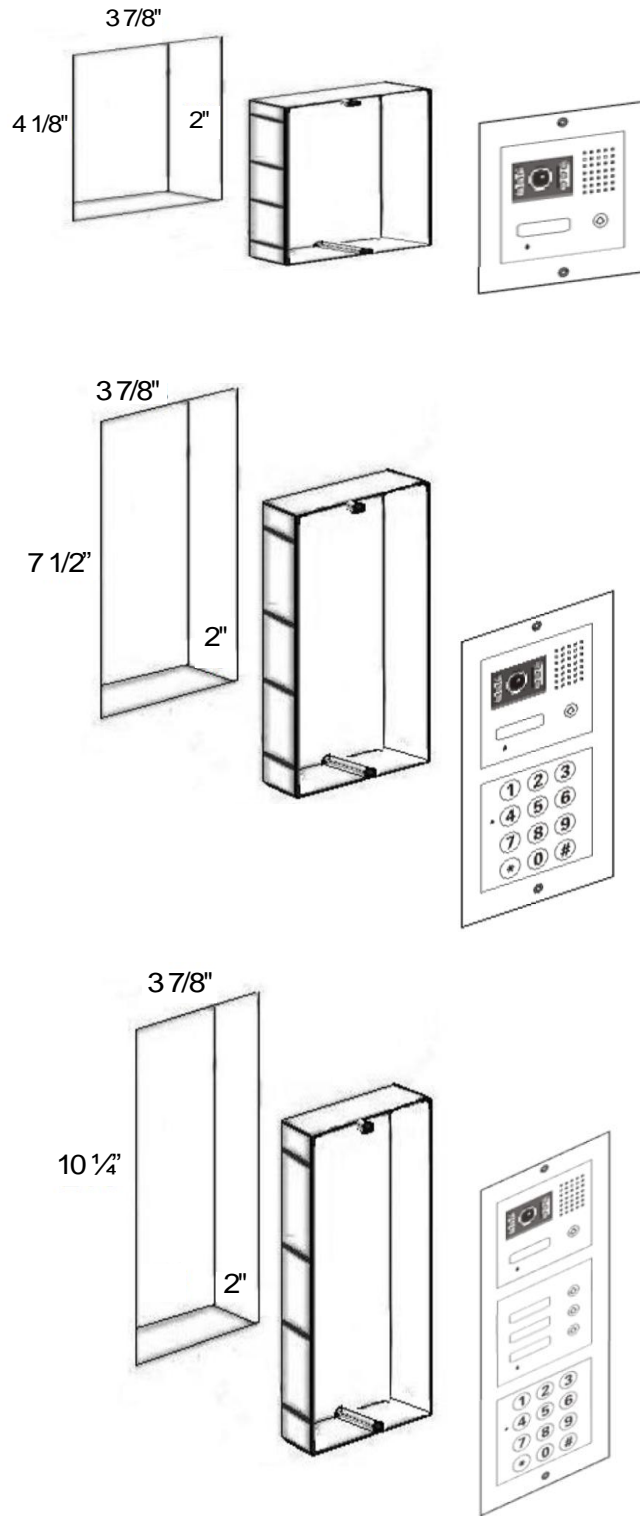


Figure 2 - Flush Mounting dimensions

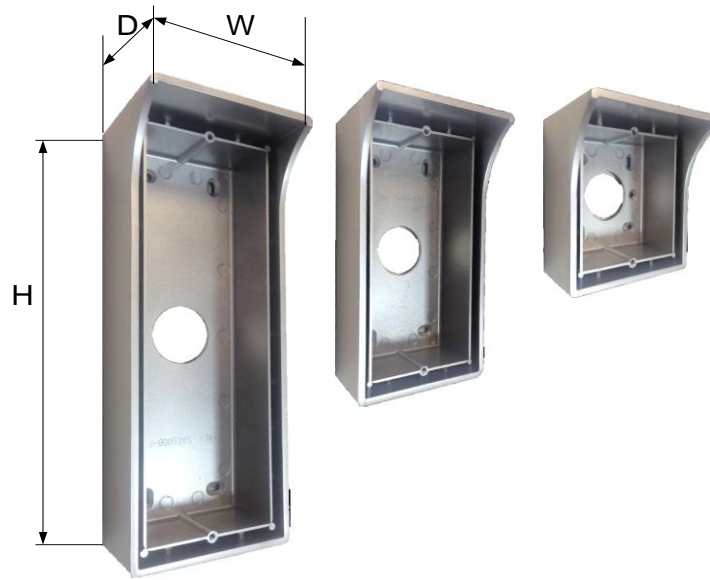


Figure 3 - Surface Mount Dimensions