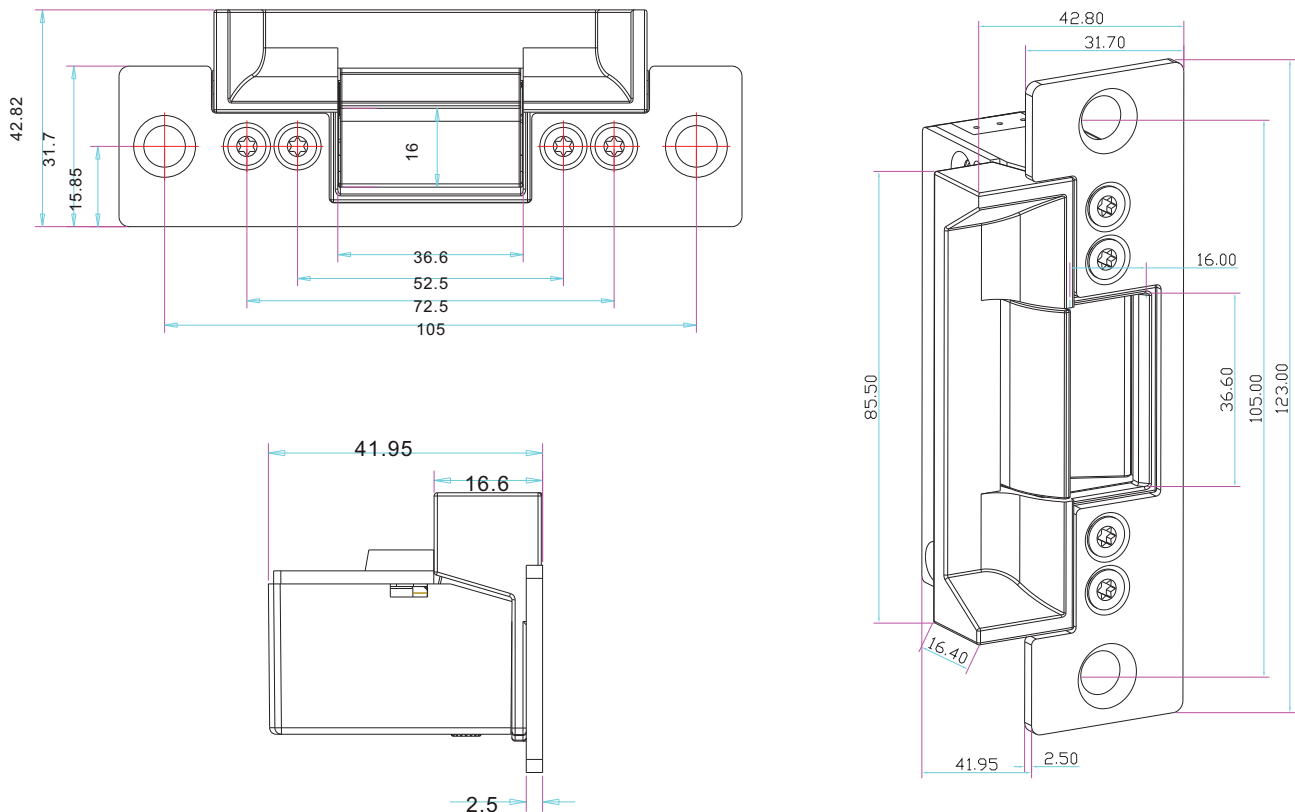


Specification

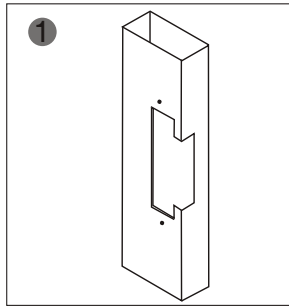
Lock size	4 7/8L X 1 5/8W X 1 5/8D (inch)
Voltage	12VDC
Current	320mA
Face plate	304 stainless steel forced structure
Lock	Zinc alloy (Varnishing - high Temperature baking)
Feature	Fail secure / Fail safe(NO & NC adjustment)
Suitable For	Wooden Door, Metal Door, PVC Door
Weight	0.75Lbs

Diagram(unit:mm)

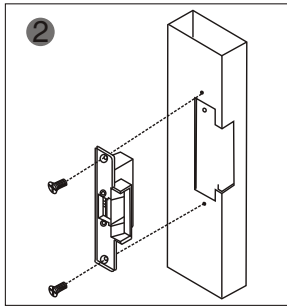
To convert from mm to Inches divide dimension by 25.4



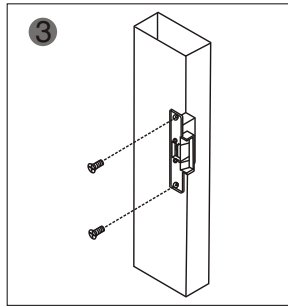
Installation



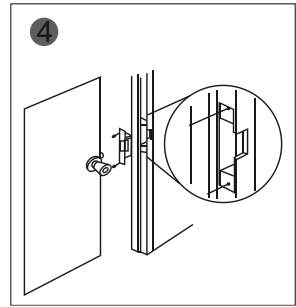
1
Cut hole according to the dimension of strike.



2
Connect the wires and insert the electric strike into the cutout

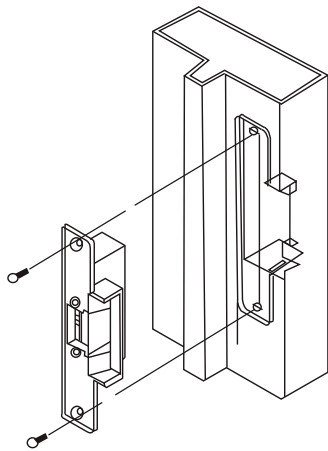


3
Secure the electric strike into the door jamb with the 2 screws

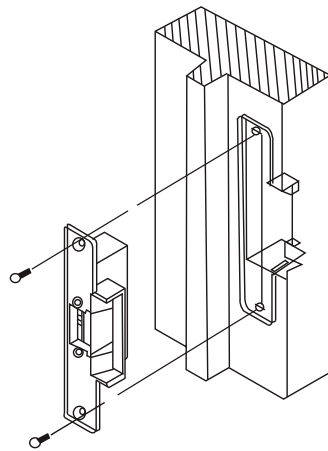


4
Power up the electric strike to confirm a complete engagement between the door lock latch and the electric strike

Suitable for



Metal Door Frame



Wooden Door Frame

Wire connection

