

## 600 Lbs Magnetic Door Lock with LED

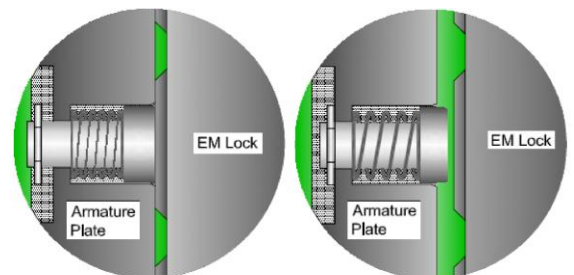
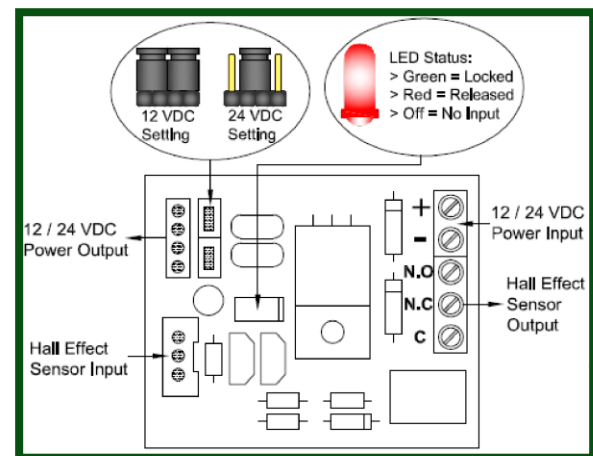
### SKU: EVML600LED

Our magnetic door locks in this category have a robust holding force of 600lbs and are suitable for installation in a wide range of single and double doors. Here are the features you'll get with one of these tough, dependable magnetic door locks:



### 600lbs Holding Force Magnetic Door Lock Specifications

- Indoors Application
- Holding Force: 600lbs in collinear load test
- Works with wood doors, glass doors, metal doors and fireproof doors
- Fail-safe design – Locked when energized
- Red LED – Door is unlocked; Green LED – Door is locked
- Designed with mechanical bolt
- Built-in voltage spike suppressor
- Designed for 90-degree in swing doors (for out swing add our ZL Bracket)
- High-strength anodized aluminum housing
- Zinc finish
- Dual Voltage: Selectable DC12V/DC24V +/- 10%
- Current Draw: DC12V/500mA, DC24V/250mA
- Door Status sensor - (NO/NC/COM)
- Indication Signal Output: Dry Contact, Max Rating of Contact Current 3A
- Hall Effect closure indication Contacts: 2 SPDT rated 2A at 24 VDC
- Authority Certification: CE & MA approved
- Lock Size: 9 7/8" L x 1 5/8" H x 1" D
- Armature plate: 7" L x 1 1/2" H x 3/8" D

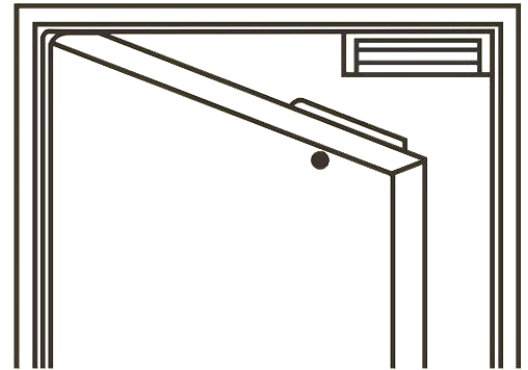
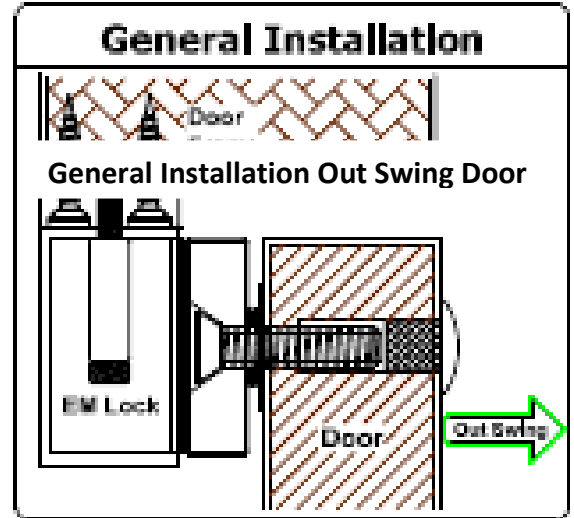


EM Lock Energized

EM Lock De-energized

Specifications are subject to change without notice. Entry Vision is not responsible for any typographical errors.

- Surface Temp:  $\leq +20^{\circ}\text{C}/68^{\circ}\text{F}$
- Operating Temp:  $-10+55^{\circ}\text{C}(14-131^{\circ}\text{F})$
- Suitable Humidity: 0~90% (non-condensing)
- NOTE: For In Swing Door add optional Z/L bracket (SKU: EVZL600LED)



Specifications are subject to change without notice. Entry Vision is not responsible for any typographical errors.